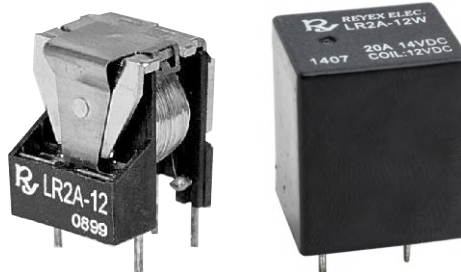


## FEATURES

- Up to 15A for exclusive automobile control relay switching box use
- Open-frame and sealed type are available
- Contact form: 1 form A, 2 form A  
Using at automotive, security systems, etc



## ORDERING INFORMATION

LR    1A    —    12    W  
 1        2                    3        4

- |                        |                         |
|------------------------|-------------------------|
| 1. Type                | 3. Coil Nominal Voltage |
| 2. Contact Arrangement | 4. Enclosure            |
| 1A : 1 Form A          | Nil : Open Type         |
| 2A : 2 Form A          | W : Sealed Type         |

## CONTACT RATING

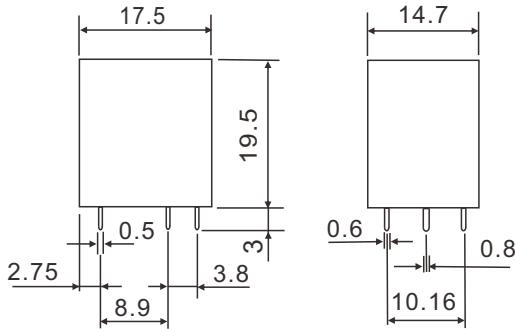
1 Form A	Resistive (Cos.θ = 1)	DC 14 V	15A
2 Form A	Resistive (Cos.θ = 1)	DC 14 V	2 x 10A

## COIL DATA(1.1W, at 25°C )

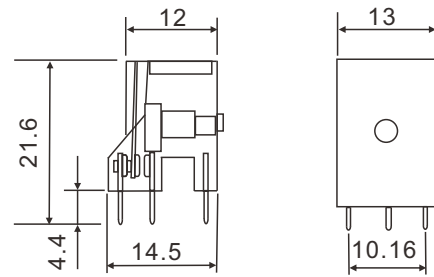
Coil Nominal Voltage (VDC)	Resistance Tol.±10% (Ohms )	Nominal Current (mA)	Maximum Pick Up Voltage (V)	Minimum Drop Out Voltage (V)
6	33	182	3.6	0.6
12	130	92	7.2	1.2
24	520	46	14.4	2.4

## DIMENSIONS(±0.2mm)

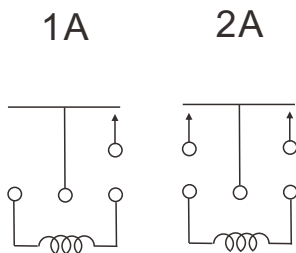
SEALED TYPE



OPEN TYPE



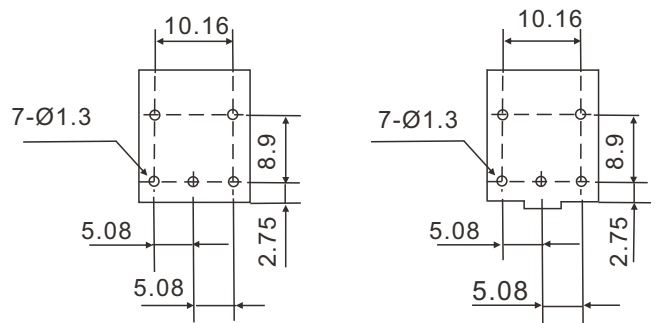
WIRING DIAGRAM  
(BOTTOM VIEW)



P.C.B LAYOUT  
(BOTTOM VIEW)

SEALED TYPE

OPEN TYPE



## GENERAL DATA

Insulation Resistance	100 MΩ Min. (DC 500V)
Dielectric Strength	750 VAC, 50/60Hz between contact.
	500 VAC, 50/60Hz between all elements.
Contact Material	Ag Alloy.
Contact Resistance	100 milliohms max. ( initial value )
Shock Resistance	Malfunction: 10G(11ms) ; Destructive: 100G(6ms)
Vibration Resistance	Malfunction: 10 to 55 Hz. at Double Amplitude of 1.5 mm
	Destructive: 10 to 55 Hz. at Double Amplitude of 1.5 mm
Operation Time	6 ms max.
Release Time	3 ms max.
Temperature Range	- 40°C ~ + 85°C
Expected Life	With operation rate 30/min.
	Mechanical - 10,000,000 operations min.
	Electrical - 100,000 operations min. at rated load.
Weight	12 grams